

इंटरनेट

मानक

Disclosure to Promote the Right To Information

Whereas the Parliament of India has set out to provide a practical regime of right to information for citizens to secure access to information under the control of public authorities, in order to promote transparency and accountability in the working of every public authority, and whereas the attached publication of the Bureau of Indian Standards is of particular interest to the public, particularly disadvantaged communities and those engaged in the pursuit of education and knowledge, the attached public safety standard is made available to promote the timely dissemination of this information in an accurate manner to the public.

“जानने का अधिकार, जीने का अधिकार”

Mazdoor Kisan Shakti Sangathan

“The Right to Information, The Right to Live”

“पुराने को छोड़ नये के तरफ”

Jawaharlal Nehru

“Step Out From the Old to the New”

IS 4570-6 (1999): Crystal Unit Holders, Part 6: Metal, Solder-Sealed, Two Pin Crystal Unit Holders Type CX [LITD 5: Semiconductor and Other Electronic Components and Devices]



“ज्ञान से एक नये भारत का निर्माण”

Satyanarayan Gangaram Pitroda

“Invent a New India Using Knowledge”



“ज्ञान एक ऐसा खजाना है जो कभी चुराया नहीं जा सकता है”

Bhartrhari—Nitiśatakam

“Knowledge is such a treasure which cannot be stolen”

BLANK PAGE



भारतीय मानक
क्रिस्टल इकाई होल्डरों की विशिष्टि
भाग 6 धातु, सोल्डर-सीलबन्द, दो पिन क्रिस्टल इकाई होल्डर
टाइप सी एक्स
(पहला पुनरीक्षण)

Indian Standard

SPECIFICATION FOR CRYSTAL UNIT HOLDERS
PART 6 METAL, SOLDER-SEALED, TWO PIN CRYSTAL UNIT HOLDERS
TYPE CX
(*First Revision*)

ICS 31.140

© BIS 1999

BUREAU OF INDIAN STANDARDS
MANAK BHAVAN, 9 BAHADUR SHAH ZAFAR MARG
NEW DELHI 110002

October 1999

Price Group 1

FOREWORD

This Indian Standard (Part 6) (First Revision) was adopted by the Bureau of Indian Standards, after the draft finalized by the Piezoelectric Devices for Frequency Control and Selection Sectional Committee had been approved by the Electronics and Telecommunication Division Council.

The objective of this standard is to specify the outline dimensions, pin spacing and alignment gauge for crystal unit holder of type CX.

This Indian Standard is largely based on Sheets 20 and 21(b) of IEC 122-3 (1977), with Amendment No. 3 (1992), 'Quartz crystal units for frequency control and selection—Part 3: Standard outlines and pin connections', issued by International Electrotechnical Commission (IEC).

The revision has been undertaken to align this standard with the latest international practices, and tolerances of dimensions, which do not effect the replaceability, have been deleted.

For the purpose of deciding whether a particular requirement of this standard is complied with, the final value, observed or calculated, expressing the result of a test or analysis, shall be rounded off in accordance with IS 2: 1960 'Rules for rounding off numerical values (*revised*)'. The number of significant places retained in the rounded off value should be the same as that of the specified value in this standard.

Indian Standard

SPECIFICATION FOR CRYSTAL UNIT HOLDERS
PART 6 METAL, SOLDER-SEALED, TWO PIN CRYSTAL UNIT HOLDERS
TYPE CX

(First Revision)

1 SCOPE

This standard (Part 6) covers metal, solder-sealed, two pin crystal unit holder type CX intended for use in electronic equipment.

2 REFERENCE

The following Indian Standard is a necessary adjunct to this standard:

<i>IS No.</i>	<i>Title</i>
4570 (Part 1) : 1983	Specification for crystal unit holders: Part 1 General requirements and tests (<i>first revision</i>)

3 TYPE DESIGNATION

The metal, solder sealed, two pin crystal unit holder

covered in this standard shall be designated as metal, solder-sealed, two pin crystal unit holder type CX.

4 OUTLINE AND DIMENSIONS

The outline and dimensions shall be according to Fig. 1 and Table 1.

5 MATERIALS, CONSTRUCTION AND WORKMANSHIP

See 5 of IS 4570 (Part 1).

6 MARKING

See 6 of IS 4570 (Part 1).

7 TESTS

See 7 of IS 4570 (Part 1).

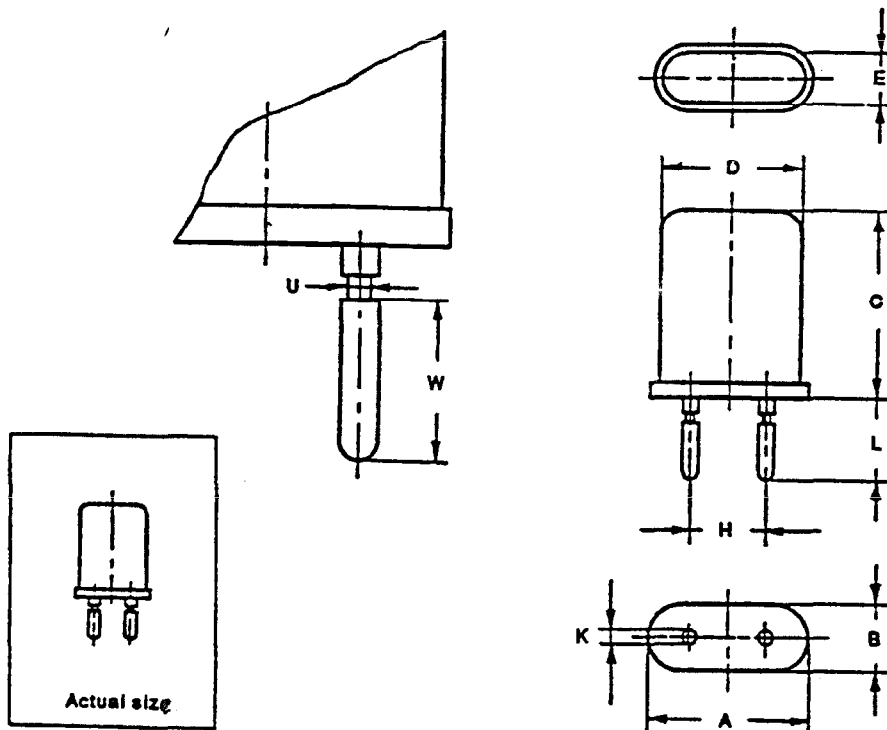


FIG. 1 OUTLINE OF CRYSTAL UNIT HOLDERS

Table 1 Dimensions
(Clause 4.1)

Sl No.	Ref	Millimetres			Notes
		Min	Nom	Max	
(1)	(2)	(3)	(4)	(5)	(6)
i)	<i>A</i>	—	—	11.05	3
ii)	<i>B</i>	—	—	4.65	3
iii)	<i>C</i>	—	—	13.46	—
iv)	<i>D</i>	—	—	10.21	—
v)	<i>E</i>	—	—	3.81	—
vi)	<i>H</i>	4.67	4.90	5.08	—
vii)	<i>K</i>	0.97	1.00	1.07	1
viii)	<i>L</i>	5.66	—	6.30	—
ix)	<i>U</i>	0.69	—	—	—
x)	<i>W</i>	4.45	—	—	—

NOTES

- 1 Pin ends rounded.
- 2 The use and shape of undercut are at the discretion of the manufacturer.
- 3 *A* and *B* dimensions include an allowance for solder.

Bureau of Indian Standards

BIS is a statutory institution established under the *Bureau of Indian Standards Act, 1986* to promote harmonious development of the activities of standardization, marking and quality certification of goods and attending to connected matters in the country.

Copyright

BIS has the copyright of all its publications. No part of these publications may be reproduced in any form without the prior permission in writing of BIS. This does not preclude the free use, in the course of implementing the standard, of necessary details, such as symbols and sizes, type or grade designations. Enquiries relating to copyright be addressed to the Director (Publications), BIS.

Review of Indian Standards

Amendments are issued to standards as the need arises on the basis of comments. Standards are also reviewed periodically; a standard along with amendments is reaffirmed when such review indicates that no changes are needed; if the review indicates that changes are needed, it is taken up for revision. Users of Indian Standards should ascertain that they are in possession of the latest amendments or edition by referring to the latest issue of 'BIS Handbook' and 'Standards: Monthly Additions'.

This Indian Standard has been developed from Doc: No. LTD 12 (1702).

Amendments Issued Since Publication

Amend No.	Date of Issue	Text Affected

BUREAU OF INDIAN STANDARDS

Headquarters:

Manak Bhavan, 9 Bahadur Shah Zafar Marg, New Delhi 110 002
Telephones : 323 01 31, 323 33 75, 323 94 02

Telegrams : Manaksanstha
(Common to all offices)

Regional Offices :

	Telephone
Central : Manak Bhavan, 9 Bahadur Shah Zafar Marg NEW DELHI 110 002	{ 323 76 17 323 38 41
Eastern : 1/14 C. I. T. Scheme VII M, V. I. P. Road, Kankurgachi CALCUTTA 700 054	{ 337 84 99, 337 85 61 337 86 26, 337 91 20
Northern : SCO 335-336, Sector 34-A, CHANDIGARH 160 022	{ 60 38 43 60 20 25
Southern : C. I. T. Campus, IV Cross Road, CHENNAI 600 113	{ 235 02 16, 235 04 42 235 15 19, 235 23 15
Western : Manakalaya, E9 MIDC, Marol, Andheri (East) MUMBAI 400 093	{ 832 92 95, 832 78 58 832 78 91, 832 78 92

Branches : AHMADABAD. BANGALORE. BHOPAL. BHUBANESHWAR. COIMBATORE.
FARIDABAD. GHAZIABAD. GUWAHATI. HYDERABAD. JAIPUR. KANPUR.
LUCKNOW. NAGPUR. PATNA. PUNE. RAJKOT. THIRUVANANTHAPURAM.